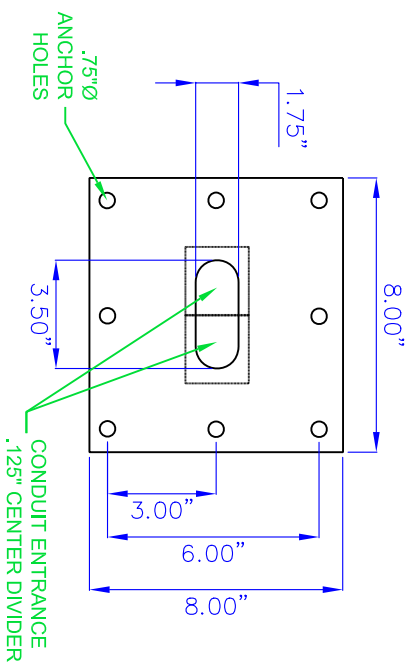


**BASE PLATE**



**NOTES:**

1. PEDESTAL BASE MAIN TUBE SHALL BE SIZED AS 2 " X 4 "
2. PRIMARY BASE FLANGE PLATE SHALL BE 7/8 " X 8 " X 8 "
3. PRIMARY BASE FLANGE ANCHOR HOLES SHALL BE 3/4 "
4. PRIMARY BASE FLANGE CONDUIT HOLES SHALL BE 1 1/2 "
5. PEDESTAL BACK FLANGE PLATE SLOTS SHALL BE 1/4 "
6. PEDESTAL BACK FLANGE CENTER HOLE SHALL BE 1 1/2 "
7. PEDESTAL BACK FLANGES SHALL BE 1/16 " X 4 " X 4 " PLATE
8. GOOSENECK EXTENSIONS SHALL BE SIZED AS 2 " X 2 "
9. PEDESTAL ASSEMBLY SHALL BE POWDER COATED.



**The HOUSING COMPANY**  
 9651 Chalma Street  
 Baton Rouge, LA 70814  
 (225) 216-3922 PH.  
 (225) 216-9445 FX.

**PROJECT:** \_\_\_\_\_  
**SUBJECT:** \_\_\_\_\_  
**CONTRACTOR:** \_\_\_\_\_  
**ENGINEER:** \_\_\_\_\_

**DATE:** 12-OCT-07  
**DRN. BY:** M.J.L.  
**CHK. BY:** SMH  
**DWG:** PD-114-B  
**SHEET:** 1  
**SCALE:** NTS